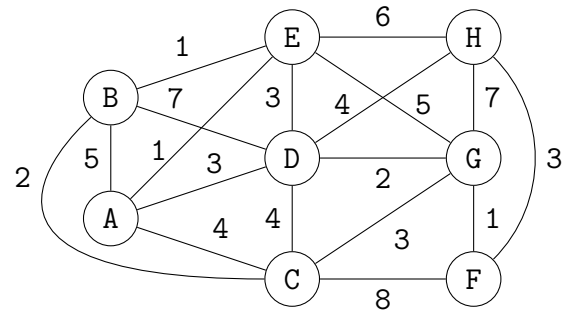


Today: Synthesis and review: Dijkstra's algorithm (skew heap).

Next class: Quicksort, review.

1. List the members of your group below. Underline your name.

2. Trace the action of Dijkstra's single-source shortest-path algorithm on the following graph, with source A. Use a skew heap to maintain current distances and clearly depict the state of the heap after each change.



[additional space for answering the earlier question]

